

GAV 36F

Stop valve  
**GAV 36F**  
**DN 15 up to 300, PN 40**

**Description**

Straight-through bellows-sealed stop valve with flanged end connections to EN 1092-1. The valve is designed for shutting off and throttling the flow of neutral gases, vapours and liquids in all sectors of industry.

The GAV 36F has a double-walled bellows made of stainless steel and a safety stuffing box with gland packing made of pure graphite.

Sizes DN 15 to DN 100 come as standard with a throttling plug, sizes DN 125 to DN 300 with a shut-off plug.

The equipment meets the requirements specified in TA Luft (German Technical Guideline on Air Quality Control).

The equipment must only be used within the allowable pressure and temperature limits and only if the chemical and corrosive influences on the equipment are taken into account.

**Functionality**

To close the stop valve turn the handwheel to the right and to open it turn the handwheel to the left. Direction symbols are found on top of the handwheel. The throttling plug regulates the flowrate during start-up and throttles flow. The position indicator shows the position of the stop valve.

**Optional extras**

- ▶ Throttling plug with position indicator from DN 125
- ▶ Balance plug from DN 125

**Pressure/temperature ratings DN 15 – 200**

End connection		Flanged PN 40								
p (pressure <sup>1</sup> ) [barg]		40.0	37.1	35.2	33.3	30.4	27.6	25.7	23.8	13.1
T (temperature <sup>1</sup> ) [°C]		-10/50	100	150	200	250	300	350	400	450
ΔP (admissible differential pressure <sup>2</sup> ) [bar]	up to DN 100	40								
	DN 125	33								
	DN 150	21								
	DN 200	14								

<sup>1</sup>) Pressure and temperature ratings for strength of body/cover to EN1092-1

<sup>2</sup>) ΔP max. admissible differential pressure for shutting off flow

For greater differential pressures, the optional balance plug is required

**Pressure/temperature ratings DN 250 – 300**

End connection		Flanged PN 40								
p (pressure <sup>1</sup> ) [barg]		27.0	27.0	23.0	22.0	21.0	19.0	18.0	17.0	13.0
T (temperature <sup>1</sup> ) [°C]		-10/50	100	150	200	250	300	350	400	450
ΔP (admissible differential pressure <sup>2</sup> ) [bar]	DN 250	9								
	DN 300	6								

<sup>1</sup>) Pressure and temperature ratings for strength of body/cover contrary to body/cover differing from EN1092-1

<sup>2</sup>) ΔP max. admissible differential pressure for shutting off flow

For greater differential pressures, the optional balance plug is required

**Materials of construction**

Component part	EN
Body DN 15 – 40	1.0460, hard faced (1.4370)
Body DN 50 – 300	1.0619+N, hard faced (1.4370)
Body gasket	Graphite CrNi
Cover DN 15 – 250	1.0460
Cover DN 300	1.0425
Insert ring DN 250, 300	1.0460
Handwheel	0.6020
Stem	1.4021, (DN 15 – 100 nitrided)
Gland packing	Graphite
Bellows	1.4571
Threaded bush DN 15 – 200	1.0715, nitrided
Threaded bush DN 250, DN 300	1.4122, nitrided
Hexagon nut	1.7218, olive-chromated
Stud bolt	1.7709, olive-chromated
Throttling plug DN 15 – 100	1.4021 + QT800
Isolating plug DN 125 – 300	1.0460, hard faced (1.4115)

Stop valve  
**GAV 36F**  
 DN 15 up to 300, PN 40

**Specification Text**

Flanged stop valve with bellows seal and gland packing, sizes DN 15 - DN 100 come as standard with throttling plug and position indicator, from DN 125 with shut-off plug. Straight-way pattern

**Materials:**

Body: 1.0460 / 1.0619+N  
 Bellows/internals: stainless steel  
 Make and type: GESTRA GAV 36F  
 Pressure rating: PN 40  
 Nominal size: DN 15 – DN 300

**When ordering please state:**

Fluid, flowrate, service pressure and temperature.  
 Required end connections.

**Inspection and Certification**

The following test certificates can be issued on request, at extra cost: In accordance with EN 10204-2.2, 3.1 and 3.2.

Please state the inspection and certification requirements when enquiring or ordering. Certification cannot be established after equipment has been supplied.

Charges and extent of the above mentioned certificates as well as the different tests confirmed therein are listed in our price list "Test and Inspection Charges for Standard Equipment".

For other test certificates please consult us.

**PED (Pressure Equipment Directive)**

The equipment meets the safety requirements of the European Pressure Equipment Directive 97/23/EC (up to 18 July 2016) / 2014/68/EU (from 19 July 2016) and can be used for the following fluids:

- ▶ Fluids of group 1
- ▶ Fluids of group 2

The equipment is CE marked.

The following types of equipment are excluded from the scope of the PED according to section 3.3 (up to 18 July 2016) and section 4.3 (from 19 July 2016) and are not required to have a CE marking.

- ▶ DN 15
- ▶ DN 20
- ▶ DN 25

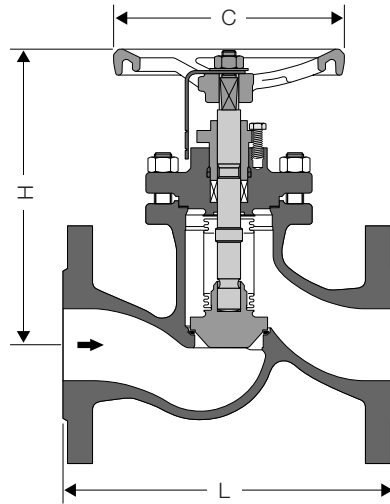
**ATEX (Atmosphère Explosible)**

The equipment does not have a potential internal source of ignition and is therefore not subject to the ATEX Directive 94/9/EC (up to 19 April 2016) or 2014/34/EU (from 20 April 2016). Applicable in Ex zones 1, 2, 21, 22.

The equipment is not Ex marked.

Supply is in accordance with our general terms of business.

**Dimensions and weights**



**Dimensions and weights for DN 15 to DN 100**

DN [mm]	15	20	25	32	40	50	65	80	100
NPS [inch]	½	¾	1	1¼	1½	2	2½	3	4
L [mm]	130	150	160	180	200	230	290	310	350
H <sup>1)</sup> [mm]	140	165	165	190	200	220	270	305	345
C [mm]	125	125	125	160	160	160	200	200	250
Lift [mm]	4.0	6.5	6.5	8.0	10.0	12.5	16.5	20.0	25.0
Weight [kg]	3.8	4.8	5.4	9.1	10.2	13.2	19.8	27.0	41.7

Face-to-face dimension is in accordance with EN558, series 1

<sup>1)</sup> Valve in open position

**Dimensions and weights for DN 125 to DN 300**

DN [mm]	125	150	200	250	300
NPS [inch]	5	6	8	10	12
L [mm]	400	480	600	730	850
H <sup>1)</sup> [mm]	395	430	500	705	785
C [mm]	315	315	400	500	630
Lift [mm]	31.5	37.5	47.5	66.0	76.0
Weight [kg]	66.0	88.0	175.0	300.0	430.0

Face-to-face dimension is in accordance with EN558, series 1

<sup>1)</sup> Valve in open position

**Flow characteristics**

**Flow characteristics with throttling plug**

DN [mm]	15	20	25	32	40	50	65	80	100
DN [inch]	½	¾	1	1¼	1½	2	2½	3	4
ζ-value	9.6	10.7	10.2	7.5	6.5	6.6	7.7	10.8	11.1
Kvs value [m³/h]	2.9	4.9	7.8	15.0	25.0	39.0	61.0	78.0	120.0

**Flow characteristics with isolating plug**

DN [mm]	125	150	200	250	300
DN [inch]	5	6	8	10	12
ζ-value	5.3	6.2	6.0	6.9	5.8
Kvs value [m³/h]	270.0	360.0	650.0	950.0	1500.0

**GESTRA AG**

P. O. Box 10 54 60, D-28054 Bremen  
 Münchener Str. 77, D-28215 Bremen  
 Tel. 0049 (0) 421 / 35 03-0, Fax 0049 (0) 421 / 35 03-393  
 E-mail gestra.ag@flowserve.com, Web www.gestra.com



GESTRA