

GESTRA® Industrial Electronics · Product Range Group B2
**Power Supply Unit
URN 2**
URN 2
Purpose and Application

The power supply unit type URN 2 in combination with up to four level switches and the cycling timer can be used as part of a controlled drainage system in power stations or for low level indication.

Example of installation

Use the PSU type URN 2 only for the power supply of a maximum of four level switches type NRS 2-4 or NRS 2-5 and the cycling timer type PRS 9.

Design
Design "c"

19" slide-in unit with guide rails and 32pole screw-type connector for installation in 19" magazine acc. to DIN 41494, part 5.

Design "d"

19" spare slide-in unit

Function

The mains voltage is stepped down, rectified and provided as 24 V DC supply voltage to the level switches NRS 2-4, NRS 2-5 and the cycling timer PRS 9.

Technical Data
Mains voltage

115/230 V \pm 10 %, 50/60 Hz
24 V \pm 10 %, 50/60 Hz (option)

Power consumption

10 VA

Output

5 x 24 V DC

Indicator and adjustor

1 green LED OPERATION

Protection

IP 10 to DIN 40050

Admissible ambient temperature

0 °C to + 70 °C

Case

19"slide-in unit with front panel to DIN 41494 part 5 and rear 32 way Euro card connector to DIN 41612 for installation onto 19" mounting panels.

Front panel: Aluminium.

Wiring

via 32pole screw-type connector at the rear of the 19" magazine; max. conductor size 1.5 mm²

Internal fuse

Glass cartridge fine-wire slow-blow fuse
500 mA, replaceable

Weight

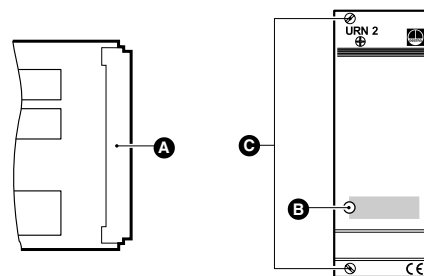
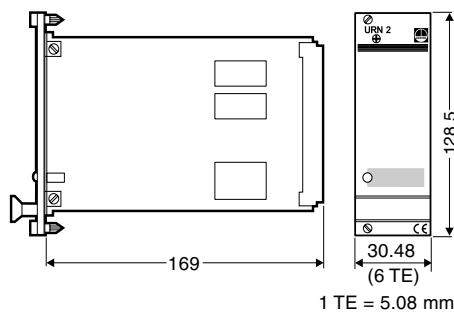
approx. 0.6 kg

Scope of supply
URN 2, design "c"

1 Power supply unit type URN 2
2 Guide rails
1 32pole screw-type connector
1 Installation instructions

URN 2, design "d"

1 Power supply unit type URN 2
1 Installation instructions

Dimensions


- A** 32pole screw-type connector
- B** LED SERVICE
- C** Fixing screws




Power supply unit URN 2

Power Supply Unit URN 2

Installation

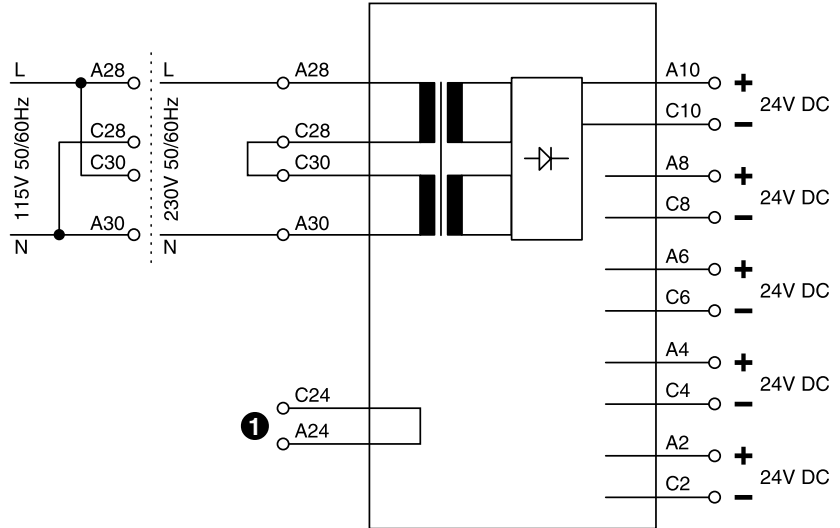
Design "c"/"d"

- Install the guide rails and the screw-type connector in the 19" magazine.
- Introduce the 19" slide-in unit onto the guide rails until it hits the stop.
- Tighten the fixing screws .

Wiring diagram

Design "c"/"d"

Wiring is effected via the 32pole screw-type connector.



1 Test loop

Supply in accordance with our general terms of business.

GESTRA AG

Münchener Straße 77, 28215 Bremen, Germany
Telefon +49 421 3503-0, Telefax +49 421 3503-393
E-mail info@de.gestra.com, Web www.gestra.de

 **GESTRA**[®]