

GESTRA Steam Systems

Product Range B2

Cycling Timer PRS 9

PRS 9

Description

The PRS 9 is an analogue/digital cycling timer. In combination with up to four level switches type NRS 2-4 and a position-controlled limit switch the cycling timer can be used as part of a controlled draining system in a power station.

Use cycling timer PRS 9 only in combination with GESTRA level switch NRS 2-4.

Function

Signals coming to the inputs of the level switches and the position-controlled limit switch will be processed electronically, with the time delay adjusted in the equipment being taken into account. Dependent on the adjustment the drain valve will be controlled in one or two steps with a time delay.

Design

Design "c"

19" slide-in unit with guide rails and 32pole screw-type connector for installation in 19" magazine acc. to DIN 41494, part 5.

Design "d"

19" spare slide-in unit

Technical data

Supply voltage

24 V DC

Power consumption

4 VA

Input

Three control inputs (volt-free relay contacts)

Control voltage 12 V DC

Output

2 volt-free relay contacts

Max. contact rating with a switching voltage of 24 V, 115 V and 230 V AC: 4 A resistive, 0.75 A inductive at $\cos \varphi 0.5$.

Max. contact rating with a switching voltage of 24 V DC: 4 A.

Service life of the relays: 30×10^6 switching cycles.

Indicators and adjustors

1 green LED "OPERATING", 1 red LED "VALVE OPEN", 1 red LED "VALVE CLOSED".

1 pushbutton "TEST" (simulating alarm signalled by P1)

1 switch (on the circuit board) for program selection, 1 switch (on the circuit board) for time delay setting

Protection

IP 10 to DIN 40050

Admissible ambient temperature

0 °C to +70 °C

Case

19" slide-in unit with front panel to DIN 41494 part 5 and rear 32 way Euro card connector to DIN 41612 for installation onto 19" magazine.

Front panel: Aluminium

Wiring

via 32 pole screw-type connector at the back of the 19" magazine, max. conductor size 1.5 mm²

Weight

approx. 0.6 kg

Scope of supply

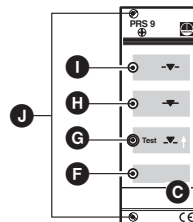
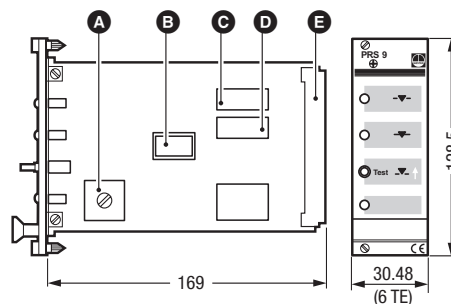
PRS 9, design "c"

- 1 Cycling timer type PRS 9
- 2 Guide rails
- 1 32 pole screw-type connector
- 1 Installation instructions

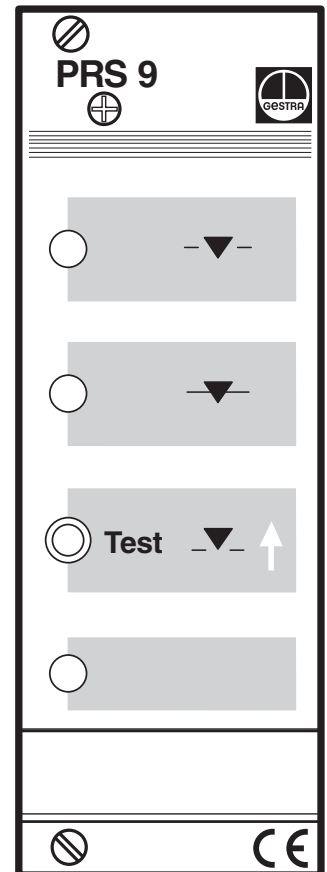
PRS 9, design "d"

- 1 Cycling timer type PRS 9
- 1 Installation instructions

Dimensions



- A** Switch S1 "TIME DELAY"
- B** Switch S2 "PROGRAM SELECTION"
- C** Relay 2 "ENERGIZED"
- D** Relay 1 "DE-ENERGIZED"
- E** 32 way Euro card connector
- F** LED "OPERATING"
- G** Push button "TEST"
- H** LED "VALVE CLOSED"
- I** LED "VALVE OPEN"
- J** Fixing screws



Cycling timer PRS 9

Cycling Timer PRS 9

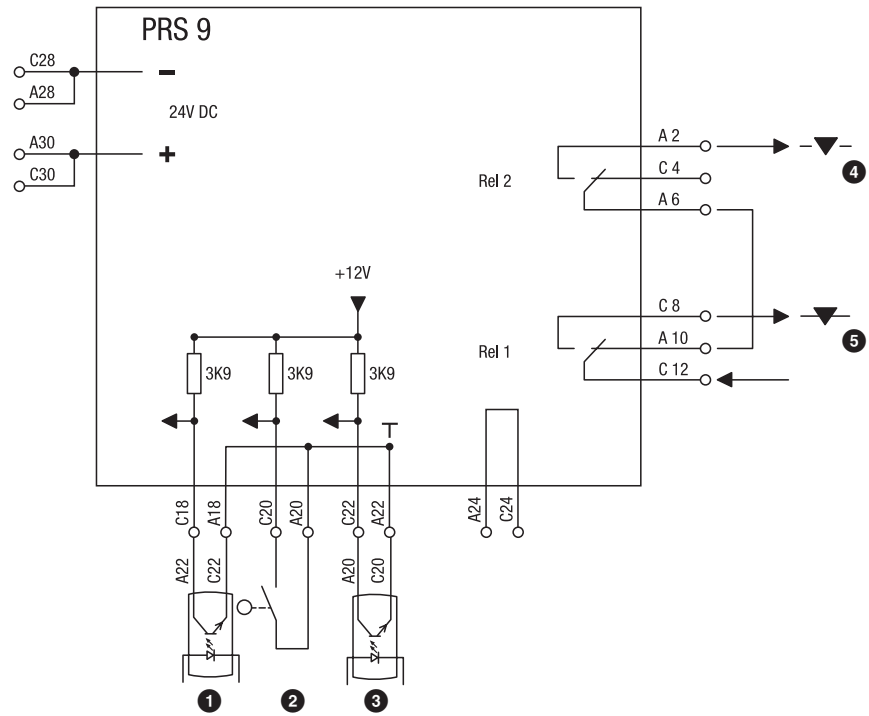
Installation

Design "c"/"d"

- Install the guide rails and the screw-type connector in the 19" magazine.
- Introduce the 19" slide-in unit onto the guide rails until it hits the stop.
- Tighten the fixing screws ①.

Wiring diagram

Design "c"/"d"



- ① P2 Level switch NRS 2-4 (level electrode 2)
- ② Position-controlled limit switch of the drain valve
- ③ P1 Level switch NRS 2-4 (level electrode 1)
- ④ Rel 2 for opening the drain valve
- ⑤ Rel 1 for closing the drain valve

Supply in accordance with our general terms of business.

GESTRA AG

Münchener Straße 77, 28215 Bremen, Germany
 Telefon +49 421 3503-0, Telefax +49 421 3503-393
 E-mail info@de.gestra.com, Web www.gestra.de

