

GESTRA Steam Systems

Product Range B

Inverter URN 1

URN 1

Description

Ancillary unit for the supply of GESTRA electronic units with 24 V AC from a 24 V DC source.

Design

Plug-in unit in plastic case for installation in control cabinets. The terminals in the case are accessible after loosening two screws and unplugging the unit from its base. To avoid confusion with other plug-in units of the GESTRA range, the equipment is fitted with a coding connector so that only the correct unit may be plugged into each base.

The plug-in units may be snapped onto a 35 mm supporting rail or screwed into position on a mounting panel.

Field enclosures for several plug-in units are available on request.

Technical Data

Function

Inverter

Input

18 ... 30 V DC

Input power at nominal output power 12.5 W

No-load current consumption 25 mA

Output

24 V AC, stabilized to $\pm 5\%$

Nominal output 10 VA

No galvanic separation of AC voltage output and DC voltage input

Electronic protection

With interlocking facility and indication via LED

Resetting by push button

Short-circuit current consumption 40 mA

Fuse

1.0 A medium time-lag fuse for separating the inverter from the supply system in the event of a defect of the inverter

Protection

IP 40

Permissible ambient temperature

0 °C to 50 °C

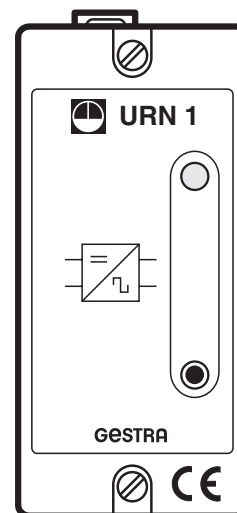
Case materials

Base: ABS plastic, black

Cover: Polystyrene (highly shock-resistant), stone grey

Weight

approx. 0.5 kg



URN 1

Inverter URN 1

Important Notes

The GESTRA electronic units to be connected to the URN 1 have to be specially equipped for the 24 V/50 Hz supply.

The majority of the GESTRA electronic units have a power consumption of 5 VA, so that generally two units can be connected to one inverter type URN 1b. Note that **only one** high-integrity self-monitoring low level alarm may be connected to the equipment.

Order and Enquiry Specifications

GESTRA inverter as ancillary unit for the supply of GESTRA electronic units with 24 V AC from a 24 V DC source:

Inverter type URN 1b plug-in unit in plastic case for installation in control cabinets.

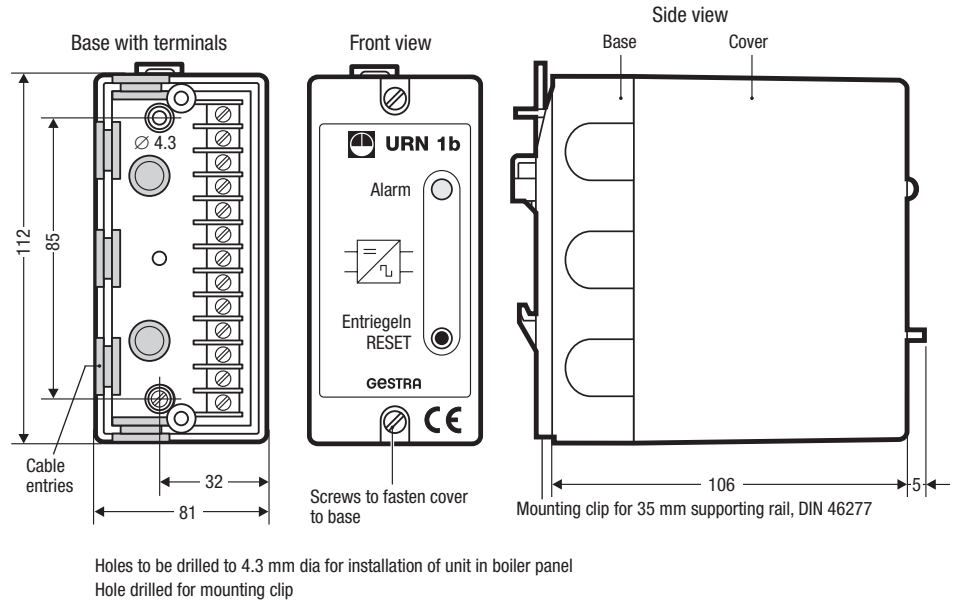
ATEX (Atmosphère Explosible)

The equipment constitutes a simple item of electrical equipment as defined in DIN EN 50020 section 5.4. According to the European Directive ATEX 94/9/EC the equipment may only be used in potentially explosive atmospheres if it is provided with approved Zener barriers.

Application in Ex zones 1, 2 (1999/92/EC).

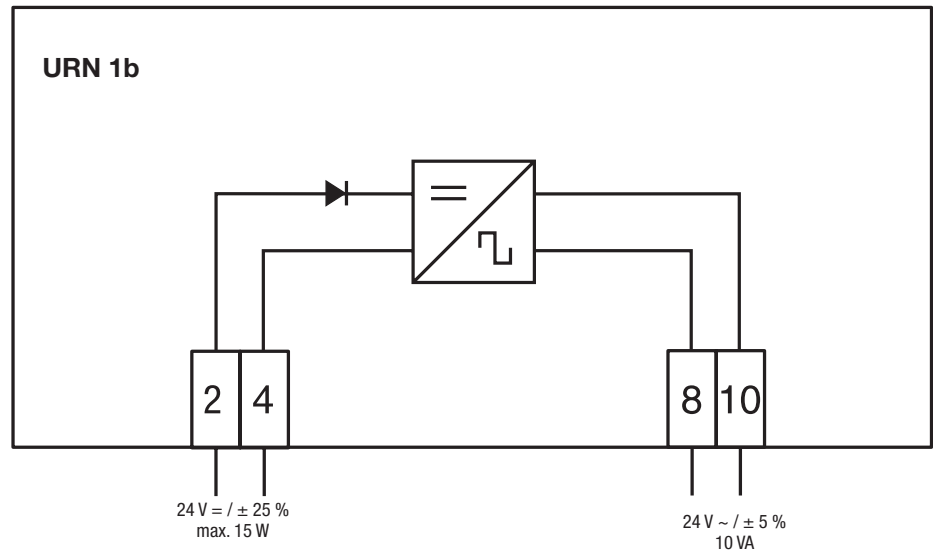
The equipment does not bear an Ex marking. The suitability of the Zener barriers is certified in a separate document.

Dimensions



Dimensions of inverter type URN 1b

Wiring Diagram



Wiring diagram for inverter type URN 1b

Supply in accordance with our general terms of business.

GESTRA AG

Münchener Straße 77, 28215 Bremen, Germany
 Telefon +49 421 3503-0, Telefax +49 421 3503-393
 E-mail info@de.gestra.com, Web www.gestra.de

