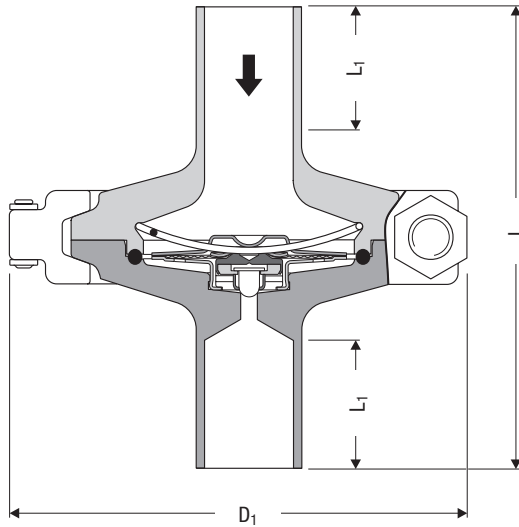


GESTRA Steam Systems

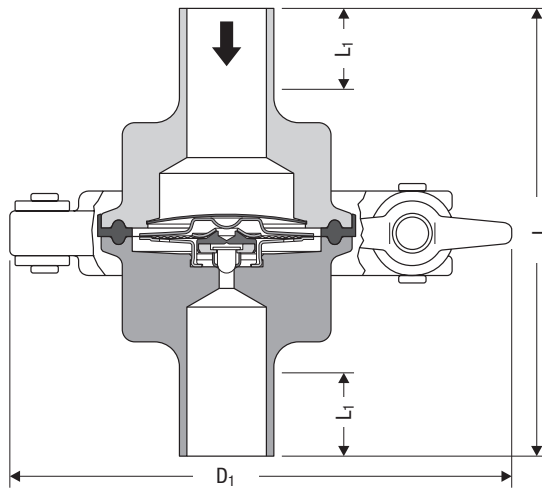
Steam Trap
STERIlIine®
SMK 22, SMK 22-51
PN 10, DN 10-25

Product Range A1

SMK 22
SMK 22-51



SMK 22 with joint clamp



SMK 22-51 with joint clamp

Dimensions, Weights

	End connections				
		Butt-weld			
Nominal sizes	[mm]	10	15	20	25
	[inch]	3/8	1/2	3/4	1
Dimensions		SMK 22		SMK 22-51	
	L	83		90	
	L ₁	25		20	
	D ₁	105		120	
Weight approx.	[kg]	0.65		0.66	

Description

The thermostatic steam trap features minimum stagnant area and a corrosion-resistant membrane regulator unaffected by waterhammer. Used for discharging condensate and airventing steam in sterile and aseptic applications.

The membrane regulator with rolling ball features a self-centering valve cone that can move freely, thereby ensuring steam-tight shut-off unaffected by dirt particles.

High sensitivity thanks to small dimensions of the regulator (evaporation thermostat). Automatic air-venting and discharge of condensate without any banking-up within the whole pressure / temperature range. The opening temperature is approximately 5 K below the boiling point.

All parts in contact with the fluid are made of stainless steel and the body gasket is of PTFE (FPM) (O-ring) – optional EPDM – in accordance with the regulations specified by the Food and Drug Administration (FDA).

The surface roughness Ra of the wetted surfaces is ≤ 0.8 µm, optional: ≤ 0.6 µm or ≤ 0.4 µm (only SMK 22).

Pressure / Temperature Ratings

	SMK 22	SMK 22-51	Body gasket
PMA (max. admissible service pressure) [bar]g	10	10	
TMA (max. admissible service temperature) [°C]	150		EPDM ¹⁾
TMA (max. admissible service temperature) [°C]	185	185	PTFE (with FPM core) ¹⁾
Δ PMX [bar]	6	6	

¹⁾ complies with FDA requirements

Materials

	SMK 22	SMK 22-51
Body	1.4435	1.4404
Body gasket	PTFE (with FPM core)	PTFE (with FPM core)
Body gasket (optional)	EPDM	
Regulating membrane	Hastelloy / 1.4571	Hastelloy / 1.4571
Spring	1.4310	1.4310
Joint clamp	1.4408	1.4408
Hexagon nut (optional)	1.4571	1.4571

End connections

Butt-weld ends to DIN 11850
 EN ISO 1127
 ASME BPE

Clamp to DIN 32676
 ISO 2852
 BS 4825

Steam Trap
STERIline®
SMK 22, SMK 22-51
PN 10, DN 10-25

Capacity Chart

The chart shows the maximum capacities for hot and cold condensate.

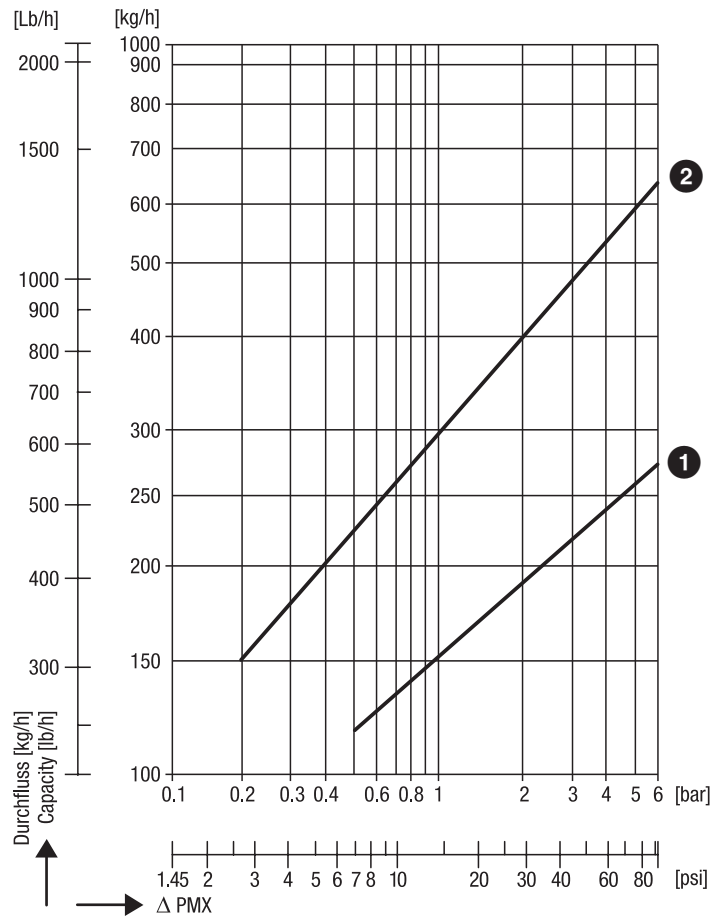
Curve 1

This curve indicates the max. capacity of **hot** condensate that the steam trap can discharge with virtually no banking up.

Curve 2

This curve shows the max. capacity of **cold** condensate that the steam trap can discharge (20 °C at start-up).

Capacity Chart for SMK 22, SMK 22-51



When ordering please state:

Steam pressure, back pressure, quantity of condensate to be discharged, type, size, connections, mounting position of the trap, and details of application.

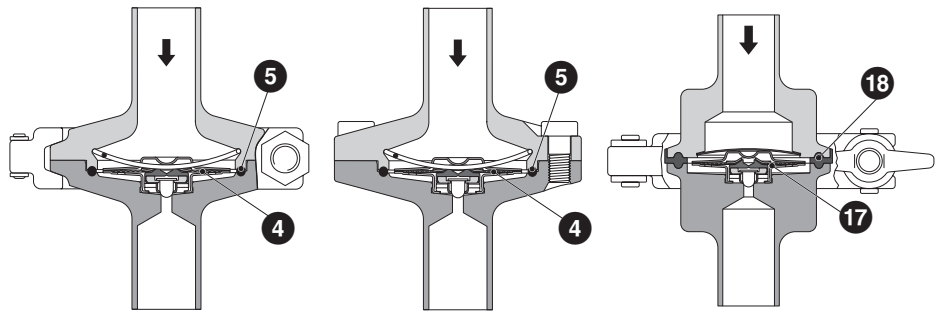
The following test certificates can be issued on request, at extra cost: In accordance with EN 10204-2.2 and -3.1B.

All inspection requirements have to be stated with the order. After supply of the equipment certificates can no longer be established. Charges and extent of the above mentioned certificates as well as the different tests confirmed therein are listed in our price list "Test and Inspection Charges for Standard Equipment".

For other tests and inspections than those listed above, please consult us.

Supply in accordance with our general terms of business.

Spare Parts



Item	Designation	Stock code #
4	Regulating membrane SMK 22	375862
5	Body gasket (39 x 3, EPDM)	375673
5	Body gasket (39 x 3, PTFE)	376777
17	Regulating membrane SMK 22-51	088524
18	Body gasket SMK 22-51	377963

GESTRA AG

P. O. Box 10 54 60, D-28054 Bremen
 Münchener Str. 77, D-28215 Bremen
 Telephone +49 (0) 421 35 03 - 0, Fax +49 (0) 421 35 03-393
 E-Mail gestra.ag@flowserve.com, Internet www.gestra.de

